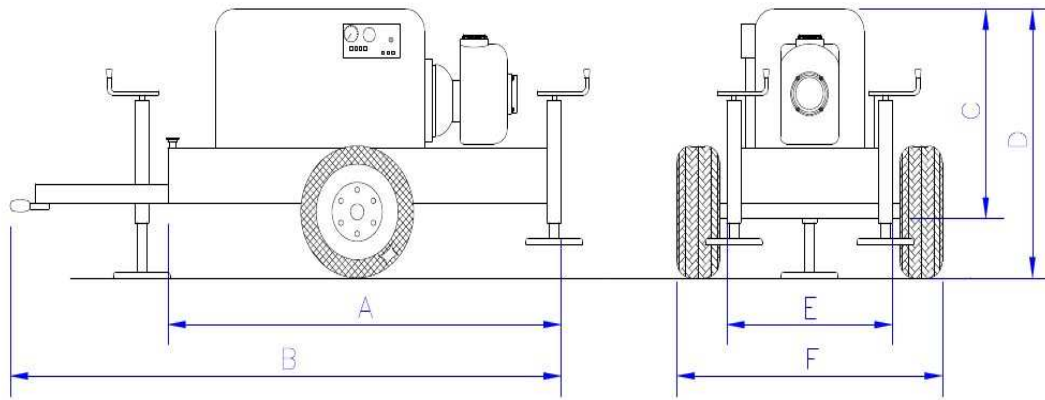




DIMENSIONI E PESI / DIMENSIONS AND BULK WEIGHTS



| Modello      | Serbatoio (Lt) | A mm | B mm | C mm | D mm | E mm | F mm | Peso (Kg)   |
|--------------|----------------|------|------|------|------|------|------|-------------|
| MTA2-50-LD   | 80             | 1550 | 2300 | 950  | 1200 | 800  | 1160 | 190-260     |
| MTA3-80-LD   | 80             | 1550 | 2300 | 1050 | 1300 | 800  | 1160 | 400         |
| MTA2-80-LD   | 80             | 1550 | 2300 | 950  | 1200 | 800  | 1160 | 190-260     |
| MTA2-100-LD  | 80             | 1550 | 2300 | 950  | 1200 | 800  | 1160 | 190-260     |
| MTA2-100-VM  | 80             | 1550 | 2300 | 950  | 1200 | 800  | 1160 | 190-260     |
| MTA3T-100-VM | 120            | 2300 | 3000 | 1450 | 1700 | 800  | 1160 | 850         |
| MTA3-125-LD  | 80             | 1550 | 2300 | 1050 | 1300 | 800  | 1160 | 400         |
| MTA2-150-VM  | 80             | 1550 | 2300 | 950  | 1200 | 800  | 1160 | 190-260     |
| MTA3T-200-VM | 120            | 2300 | 3000 | 1450 | 1700 | 800  | 1160 | 850         |
| MTA3T-250-VM | 120            | 2300 | 3000 | 1450 | 1700 | 800  | 1160 | 850         |
| MTA6-300A-DZ | 330            | 2700 | 3700 | 1600 | 1900 | 1000 | 1480 | 2100        |
| MTA6-300B-DZ | 330            | 2700 | 3700 | 1600 | 1900 | 1000 | 1480 | 2100        |
| Model        | Fuel tank (Lt) | mm A | mm B | mm C | mm D | mm E | mm F | (Kg) Weight |